

### Specifications

Model	TZ-34/20	
Measurements	US	Metric
Working height*	40 ft	12.36 m
Platform height	34 ft	10.36 m
Entry height - extended	6.4 in	.16 m
Horizontal reach	18 ft 4 in	5.59 m
Clear out reach	13 ft 5 in	4.09 m
Up and over clearance	16 ft 1 in	4.90 m
<b>A</b> Platform length	2 ft 2.8 in	.68 m
<b>B</b> Platform width	3 ft 8 in	1.12 m
<b>C</b> Height - stowed	6 ft 4.5 in	1.94 m
<b>D</b> Length - stowed	18 ft .5 in	5.50 m
<b>E</b> Width - stowed	4 ft 9.1 in	1.45 m
<b>F</b> Ground clearance	9.5 in	.24 m
<b>G</b> Length - outrigger footprint	10 ft 8.4 in	3.26 m
<b>H</b> Width - outrigger footprint	11 ft 9.4 in	3.59 m

### Productivity

Lift capacity (ANSI, CSA) - standard	500 lbs	227 kg
Lift capacity (ANSI, CSA) - rotating platform	460 lbs	209 kg
Lift capacity (CE/AUS) - standard	440 lbs	200 kg
Lift capacity (CE/AUS) - rotating platform	400 lbs	181 kg
Self leveling platform	standard	
Platform rotation option	90° mechanical	
AC power to platform	standard	
Turntable rotation	359° non-continuous	
Outrigger leveling capability	11°	
Towing speed rate	60 mph	97 km/h
Tongue weight - ANSI, CSA	315 lbs	143 kg
Tongue weight - CE	163 lbs	74 kg
Surge and parking brakes	standard	
Controls	variable speed system	
Tire size	ST 205/75 R15	
Coupler	2 in (5.08 cm) hitch coupler standard	

### Power

Power source	24V DC (four 6V 225Ah batteries)	
Hydraulic tank capacity	3.85 gal	14.57 L
Hydraulic system capacity	4.5 gal	17 L

### Weight\*\*

ANSI, CSA, Australia	3,155 lbs	1,431 kg
CE	3,170 lbs	1,438 kg

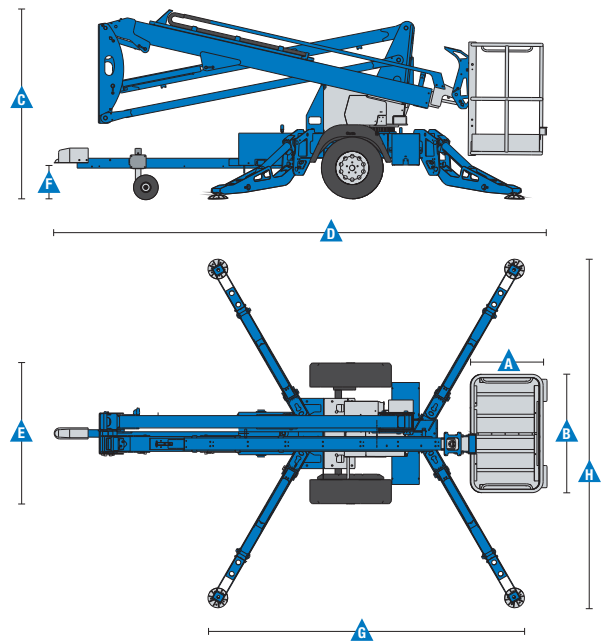
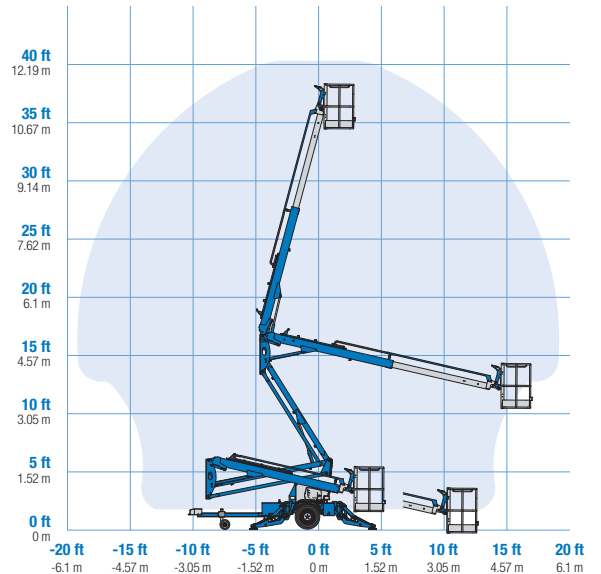
### Standards Compliance

ANSI A92.2, CSA C225, EN 280, AS 1418.10

\* The metric equivalent of working height adds 2 m to platform height. U.S. adds 6 ft to platform height.

\*\* Weight will vary depending on options and/or country standards.

### Range Of Motion TZ-34/20



### Features

Standard Features	Configurations	Options & Accessories
<p><b>Measurements</b></p> <ul style="list-style-type: none"> <li>• 40 ft (12.36 m) working height</li> <li>• 18 ft 4 in (5.59 m) horizontal reach</li> <li>• Up to 500 lbs (227 kg) lift capacity</li> </ul> <p><b>Productivity</b></p> <ul style="list-style-type: none"> <li>• Industry leading working envelope</li> <li>• Extension boom</li> <li>• Self-leveling platform</li> <li>• Variable speed control system</li> <li>• AC wiring to platform</li> <li>• Hydraulic outriggers</li> <li>• Automatic 11° leveling system</li> <li>• Outrigger interlocks</li> <li>• Mechanical parking brake</li> <li>• Hydraulic surge brakes</li> <li>• 2 in (5.08 cm) coupler lever lock</li> <li>• Hitch pull bar</li> <li>• Adjustable hitch with coupler lever lock</li> <li>• Single jockey wheels</li> <li>• 359° non-continuous turntable rotation</li> <li>• Easy to access batteries</li> <li>• Hour meter</li> <li>• Tilt alarm / sensor</li> <li>• Forklift pockets</li> <li>• Illuminated outrigger indicators</li> <li>• Highway safety chains with snap hook</li> </ul> <p><b>Power</b></p> <ul style="list-style-type: none"> <li>• 24V DC power source (four 6V 225 Ah batteries)</li> </ul>	<p><b>Platform Options</b></p> <ul style="list-style-type: none"> <li>• Aluminum 26.8 x 44 in (.68 x 1.12 m)</li> <li>• 90° mechanical platform rotation</li> <li>• LED brake lights (ANSI)</li> </ul> <p><b>Power</b></p> <ul style="list-style-type: none"> <li>• 24V DC power source</li> </ul> <p><b>Coupler Options</b></p> <ul style="list-style-type: none"> <li>• Adjustable hitch <ul style="list-style-type: none"> <li>- 2 in (5.08 cm) ball coupler</li> <li>- 2 5/16 in (5.87 cm) ball coupler</li> <li>- 2 1/2 in (6.53 cm) I.D. pintle ring coupler</li> <li>- Clevis coupler</li> </ul> </li> </ul> <p><b>Tire Options</b></p> <ul style="list-style-type: none"> <li>• ST 205/75 R15 tires (ANSI, CSA)</li> <li>• 185 R14C tires (CE)</li> <li>• Dual 10 in (25.4 cm) air filled tires</li> </ul>	<p><b>Productivity</b></p> <ul style="list-style-type: none"> <li>• 90° mechanical platform rotation</li> <li>• Wheel chocks</li> <li>• Fluorescent tube caddy</li> <li>• Full size spare tire</li> <li>• Flashing beacon</li> <li>• Non-marking outrigger footpads</li> <li>• Battery charge indicator (BCI)</li> <li>• Tool tray</li> <li>• Bicycle guard (CE)</li> <li>• Horn</li> <li>• LED brake lights</li> </ul>



#### Genie United States

18340 NE 76th Street  
P.O. Box 97030  
Redmond, Washington 98073-9730  
Telephone +1 (425) 881-1800  
Toll Free in USA/Canada +1 (800)-536-1800  
Fax +1 (425) 883-3475

#### Distributed By:

Effective Date: January, 2014. Product specifications and prices are subject to change without notice or obligation. The photographs and/or drawings in this document are for illustrative purposes only. Refer to the appropriate Operator's Manual for instructions on the proper use of this equipment. Failure to follow the appropriate Operator's Manual when using our equipment or to otherwise act irresponsibly may result in serious injury or death. The only warranty applicable to our equipment is the standard written warranty applicable to the particular product and sale and we make no other warranty, express or implied. Products and services listed may be trademarks, service marks or trade names of Terex Corporation and/or their subsidiaries in the USA and many other countries. Genie is a registered trademark of Terex South Dakota, Inc. © 2014 Terex Corporation.